

REF 5001027

DESCRIPTION

MPS Console Adapter Plate.

INDICATION FOR USE

The adapter provides support for the MPS Console when being mounted on a pole of a heart lung machine.

CONTRAINDICATION

This product is designed and warranted for use with the MPS Myocardial Protection System ONLY. Use with other systems is contraindicated. This product is not designed, sold, or intended for use except as indicated.

WARNINGS AND CAUTIONS

Read instructions carefully. The attending clinician is solely responsible for the setup and use of this device.

For use with Quest MPS Console ONLY. All Claims void if used separately.

INSTRUCTIONS FOR USE

MPS Console Adapter Plate, REF 5001027 Instructions:

1. Reference Figure 1 for the following instructions.
2. Remove the MPS Console Adapter Plate from the packaging.
3. Loosen or remove, depending upon the installation, the four screws which secure the clamp block to the mounting arm. NOTE: The mounting arm from Terumo is customer supplied.
4. Position mounting arm in the desired location on the pole and secure clamp block using the four screws from Step 3.
5. Position adapter plate onto the mounting arm (customer supplied) and secure plate with the threaded knob and washer.
6. Carefully set the MPS Console on the adapter plate so that the tall rubber feet on the bottom of the MPS console slides into the four cupped seats of the adapter plate.

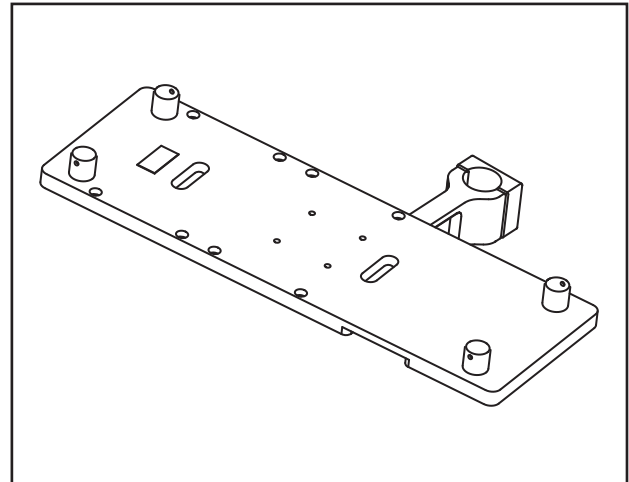


FIGURE 1: MPS Console Adapter Plate
(NOTE: Pole mount arm is customer supplied)

7. Tighten the four screws in the cupped seats to secure the MPS Console to the adapter plate
8. Place MPS in the correct operating position and ensure the threaded knob is tightened.
9. The MPS Console is now ready for setup as detailed in the MPS Operations Manual.

The MPS® and MPS® Sterile Disposables are covered under one or more of the following U.S. Patents:
5,385,540; 5,638,737; 5,573,502; 5,589,816; Patents Pending



©2010 Quest Medical, Inc. | One Allentown Parkway • Allen, TX 75002
(800) 627-0226 • (972) 390-9800 • www.questmedical.com

Made in U.S.A. 904134 REV A OCT 20